



**Features**

- Easy to install and easy to set up
- Short Circuit Protection And Reverse Connection Protection Function
- Stable Performance, Economical And Practical
- Waterproof, Anti Oil, Temperature And Other Advantages
- IP64 Protection Structure (IEC Specification)
- 1 Year Warranty

**GENERAL CHARACTERISTICS**

Detection Distance	0~500mm
Detecting Target	Transparent, Translucent, Opaque Material
Movement Differential	Max.20% at Detecting Distance

**OPERATING CHARACTERISTICS**

Supply Voltage (V)	DC	10-30VDC
	AC	90-250VDC
Load Current(mA)	DC	Max.200mA
	AC	Max.300mA
Current Consumption (mA)	15mA max	
Voltage Drop (Vp)	1.5V max	
Response Time (ms)	1ms max	

**ENVIRONMENT**

Operating Temperature	-20°C ~ 60°C (non freezing condition)
Ambient Humidity	35% ~ 85% RH
Insulation Resistance	Min 20MΩ (500VDC)
Dielectric Strength	1500VAC 50/60Hz for 1 minute

**OTHER CHARACTERISTICS**

Indicator	Operating	RED LED
Material	Case	METAL
	Detecting surface	ABS
Connection Mode	2M lead wire type	
Protection Grade	IP64 (IEC Specification)	
Authentication	CE	

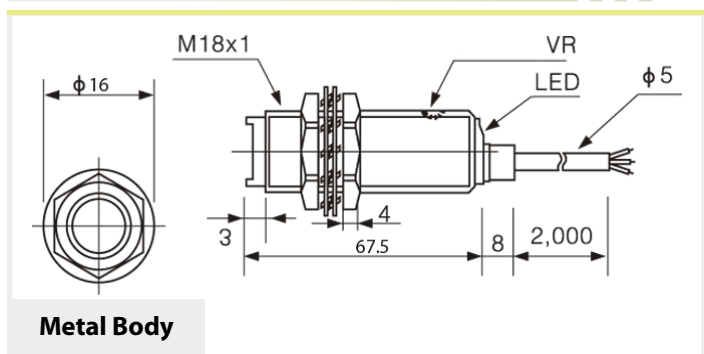
**ORDER CODE**

MODEL(Ø18mm)	TYPE	LOGIC	OUTPUT	RANGE
CPDD18-P500-OC	DC	PNP	NO+NC	500mm
CPDD18-N500-OC		NPN		
CPDD18-P500-O		PNP	NO	
CPDA18-500-O	AC		NO	500mm
CPDA18-500-C			NC	

**PROTECTION & SECURITY**

Protection Circuit	Reverse Polarity Protection, Surge Absorber, Short Circuit Protection
Vibration	1mm amplitude at 10 ~ 55Hz for 120 min each in X,Y,Z directions
Shock	500m/s <sup>2</sup> (50G) for 3 times in X,Y,Z directions

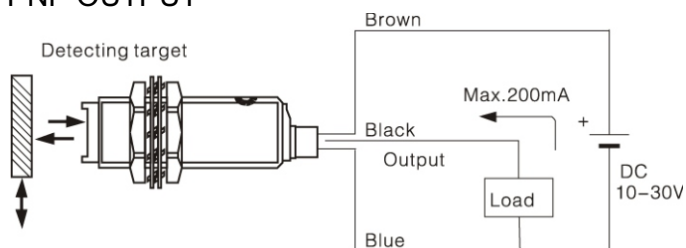
**DIMENSIONS**



**Metal Body**

**CONNECTION**

**PNP OUTPUT**



**NPN OUTPUT**

